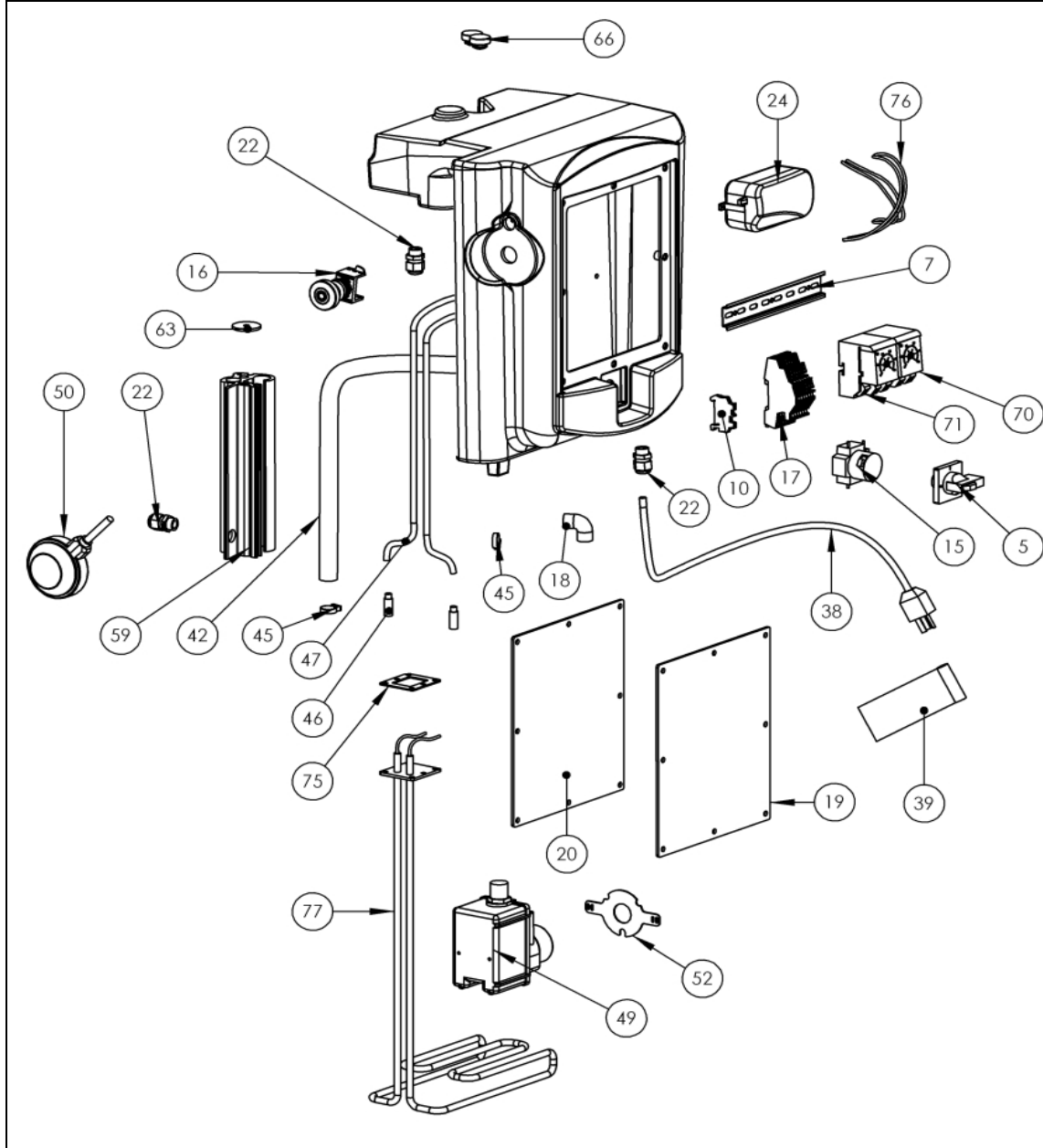


No.	Prod. No.	DESCRIPTION
5	48-D 511	MAIN SWITCH KNOB
7	48-D 510	RAIL
10	48-D 354	TERMINAL END BRACKET
15	48-D 514	MAIN POWER SWITCH CONTACT
16	48-D 544	PUMP SWITCH COMPLETE
17	48-D 546	TERMINAL ASSEMBLY 120V
18	48-D 431	FILTER INTAKE FITTING 3/4 MPT/1/2 IN BARB ELBOW
19	48-D 507	COVER FOR RMU WITH GASKET
20	48-D 508	GASKET FOR COVER
22	48-D 528	3/8 IN. STRAIN RELIEF
24	48-D 455	AIR PUMP 120V A30 DUAL OUTLET
38	48-Z 191	POWER CORD 120V
39	48-D 530	POWER CORD WARNING LABEL
42	48-D 549	PUMP HOSE 1/2 IN
45	48-D 411	HOSE CLAMP SIZE H
46	48-D 340	AIR DIFFUSER
47	48-D 527	AIR TUBE
49	48-D 006	FLUID PUMP 120V
50	48-D 326	MAIN FLOAT SWITCH 120V
52	48-D 525	AIR DIFFUSER BRACKET
59	48-D 512	PUMP SUPPORT
63	48-D 521	PUMP SUPPORT GASKET
66	48-D 522	PUMP SUPPORT PLUG
70	48-D 503	THERMOSTAT ASSEMBLY
71	48-D 503	THERMOSTAT ASSEMBLY
75	48-D 524	HEATER GASKET
76	48-D 523	AIR PUMP STRAP
77	48-D 513	HEATER 120V
--	48-D 341	7.5 IN CABLE TIE
--	48-D 471	4 IN CABLE TIE
--	48-D 545	COMPACT HARDWARE KIT
--	48-D 533	HI-TEMPERATURE CABLE TIE 5-1/2 IN.



<b>120V</b>	<b>MOD. MU300A / RMU300A</b>
<b>48-D 650</b>	<b>BIO-CIRCLE™</b>

June 1, 2009