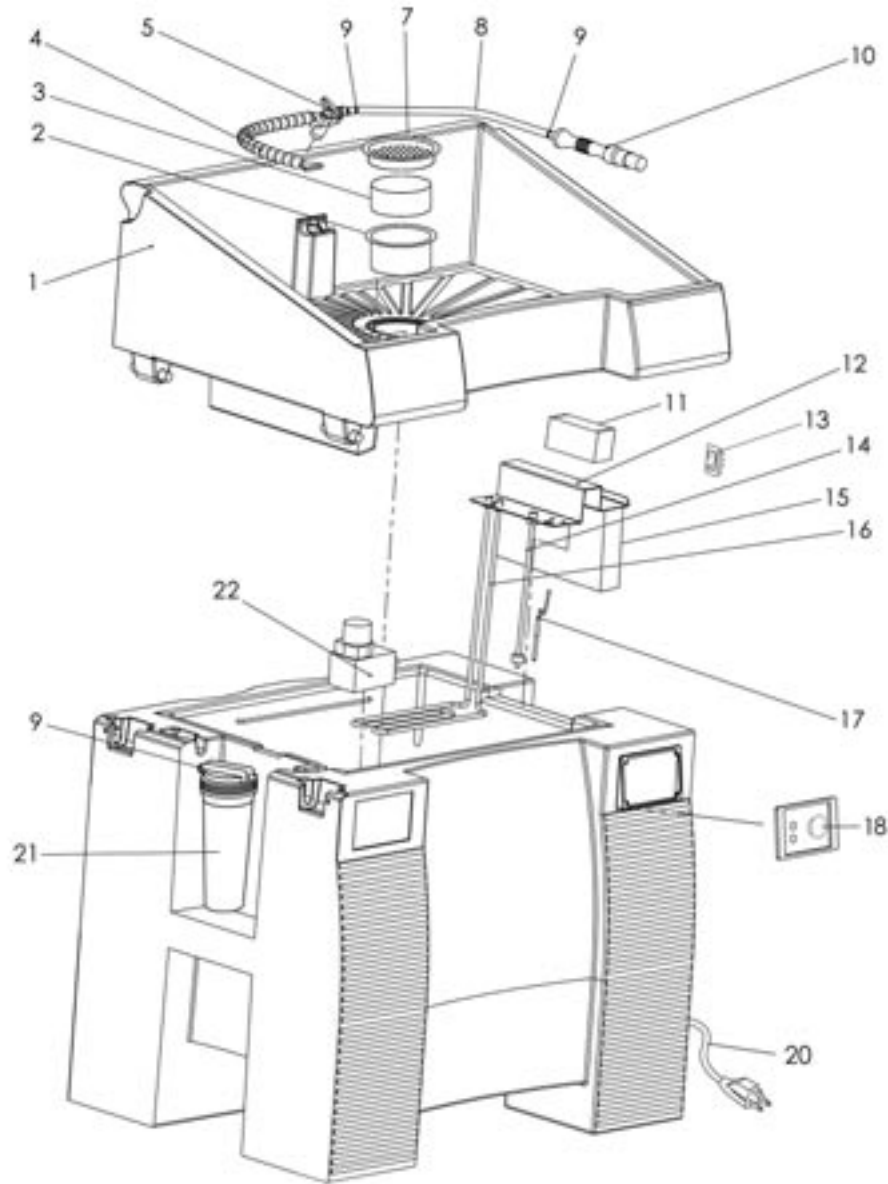




WALTER

Surface Technologies

BIO-CIRCLE™
MODEL IO-400



No.	Order No.	Description	No.	Order No.	Description
1	48-D 020	Sink	16	48-D 040	Heater 120V
2	48-D 003	Grated receptacle		48-D 142	Heater 230V
3	55-B 002	Foam sponge	17	48-D 026	Temperature sensor
4	48-D 027	Flex hose with nozzle	18	48-D 070	Mushroom switch
5	48-D 021	3-way valve	20	48-Z 203	Cord set 120V
7	48-D 002	Stainless grating		48-D 039	Cord set 230V
8	48-D 034	Brush hose	21	55-B 010	Filter housing
9	48-D 032	Hose clamp	22	48-D 006	Pump 120V
10	55-B 005	Multijet brush		48-D 037	Pump 230V
11	48-D 031	Air pump 120V		48-D 035	Pump hose
	48-D 038	Air pump 230V		48-D 068	PC board
	48-D 015	Instruction label		48-D 033	Air tube
12	48-D 041	Mounting bracket		48-D 073	Fuse 15A (heater)
13	48-D 071	Power switch		48-D 074	Fuse 250 mA (air pump)
14	48-D 025	Float switch		48-D 075	Fuse 1A (fluid pump)
15	48-D 069	Control box without PCB			